

TP

User Manual

Hardware



Table of Contents

1	Introduction	3
1.1	Revision History.....	3
2	Safety Rules.....	4
3	Technical Specification	5
4	Hardware Specification	7
4.1	Panel Versions.....	7
4.2	Dimensions	8
4.3	Touchscreen	8
4.3.1	LEDs	9
4.3.2	LED Modes	9
4.4	Buzzer.....	10
4.5	Power Supply	10
4.5.1	DC Power Supply Connection.....	10
4.5.2	AC Power Supply Connection	10
4.5.3	RJ45 Power Supply Connection.....	11
4.6	Communication.....	11
4.6.1	RS485 Connection.....	11
4.6.2	RS485 Network Termination.....	12
4.6.3	USB Connection.....	12
4.7	DIP Switch.....	12
4.7.1	Restoring Default Settings.....	13
4.7.2	Selecting Communication Protocol.....	14
4.7.3	RS485 Network Termination.....	14
4.8	Rotary Switch	15
4.8.1	Setting Device Address	15
5	Mounting and Installation.....	16

1 Introduction

The TP Touch Point is a modern comfort management wall panel with two most popular open communication protocols: Modbus RTU/ASCII and BACnet MS/TP. The Touch Point is available in different configurations of sensors (temperature, CO₂, and humidity), colors, and versions with or without a display. The panel is equipped with an interactive TFT touchscreen, touch buttons, and glass panel.

The panel can be configured using the iSMA Configurator software or Modbus registers/BACnet objects. It fits most of standard junction boxes in Europe and can easily be installed using a wall back box.

1.1 Revision History

Rev.	Date	Description
1.0	20 Apr 2022	First edition

Table 1. Revision history

2 Safety Rules

- Improper wiring of the product can damage it and lead to other hazards. Make sure that the product has been correctly wired before turning the power on.
- Before wiring or removing/mounting the product, make sure to turn the power off. Failure to do so might cause an electric shock.
- Do not touch electrically charged parts such as power terminals. Doing so might cause an electric shock.
- Do not disassemble the product. Doing so might cause an electric shock or faulty operation.
- Use the product only within the operating ranges recommended in the specification (temperature, humidity, voltage, shock, mounting direction, atmosphere, etc.). Failure to do so might cause a fire or faulty operation.
- Firmly tighten the wires to the terminal. Failure to do so might cause a fire.
- Avoid installing the product in close proximity to high-power electrical devices and cables, inductive loads, and switching devices. Proximity of such objects may cause an uncontrolled interference, resulting in an instable operation of the product.
- Proper arrangement of the power and signal cabling affects the operation of the entire control system. Avoid laying the power and signal wiring in parallel cable trays. It can cause interferences in monitored and control signals.
- It is recommended to power controllers/modules with AC/DC power suppliers. They provide better and more stable insulation for devices compared to AC/AC transformer systems, which transmit disturbances and transient phenomena like surges and bursts to devices. They also isolate products from inductive phenomena from other transformers and loads.
- Power supply systems for the product should be protected by external devices limiting overvoltage and effects of lightning discharges.
- Avoid powering the product and its controlled/monitored devices, especially high power and inductive loads, from a single power source. Powering devices from a single power source causes a risk of introducing disturbances from the loads to the control devices.
- If an AC/AC transformer is used to supply control devices, it is strongly recommended to use a maximum 100 VA Class 2 transformer to avoid unwanted inductive effects, which are dangerous for devices.
- Long monitoring and control lines may cause loops in connection with the shared power supply, causing disturbances in the operation of devices, including external communication. It is recommended to use galvanic separators.
- To protect signal and communication lines against external electromagnetic interferences, use properly grounded shielded cables and ferrite beads.
- Switching the digital output relays of large (exceeding specification) inductive loads can cause interference pulses to the electronics installed inside the product. Therefore, it is recommended to use external relays/contactors, etc. to switch such loads. The use of controllers with triac outputs also limits similar overvoltage phenomena.

3 Technical Specification

Power Supply	DC	20-34 V
	AC	24 V \pm 20%
Built-in Sensors	Temperature sensor	10k NTC type, accuracy: \pm 0.5°C, resolution: \pm 0.1°C
	Humidity sensor (applies to version with humidity sensor)	Range: 0-100% RH, accuracy: \pm 2% RH in range 10-90% RH, resolution: \pm 0.1°C
	CO ₂ sensor (applies to version with CO ₂ sensor)	Range: 400-4000 ppm, accuracy: \pm 30 ppm
COM1	RS485 interface	Up to 128 devices
		Half-duplex
	Communication protocols	Modbus RTU/ASCII, BACnet MS/TP
	Ports	2 RJ45, screw connector
	Baud rate	4800-115200
	Power supply	30 V
	Front Panel	Surface
Display (applies to version with display)		TFT 0.96"
Backlight		3 intensity modes
Buttons		5
LED		3 blue and 3 red for temperature
		3 white for fan
		1 white for occupancy
		1 configurable RGB
Ingress Protection	IP rating	IP20 for indoor installation
Temperature	Operating	From 0°C to +40°C
	Storage	From -40°C to +70°C
Humidity	Relative	From 5% to 95% RH (without condensation)

Screw Connector	Type	Removable screw terminals
	Maximum cable size	1.5 mm ² (24...16 AWG)
Housing	Material	Plastic, self-extinguishing ABS
	Mounting	Standard 60 mm wall back box
Dimensions	Metric	86x86x14.5 mm
	Inches	3.39x3.39x0.57 in

Table 2. Technical specification

4 Hardware Specification

This section outlines all details regarding hardware specification of the TP panel.

4.1 Panel Versions

The TP panel is available in the following versions:

Product Code	Temperature Sensor	CO ₂ Sensor	Humidity Sensor	Display	Color	
					Black	White
TP-DISP-B	<input checked="" type="checkbox"/>			<input checked="" type="checkbox"/>	<input checked="" type="checkbox"/>	
TP-H-DISP-B	<input checked="" type="checkbox"/>			<input checked="" type="checkbox"/>	<input checked="" type="checkbox"/>	
TP-C-DISP-B	<input checked="" type="checkbox"/>	<input checked="" type="checkbox"/>		<input checked="" type="checkbox"/>	<input checked="" type="checkbox"/>	
TP-HC-DISP-B	<input checked="" type="checkbox"/>	<input checked="" type="checkbox"/>	<input checked="" type="checkbox"/>	<input checked="" type="checkbox"/>	<input checked="" type="checkbox"/>	
TP-DISP-W	<input checked="" type="checkbox"/>			<input checked="" type="checkbox"/>		<input checked="" type="checkbox"/>
TP-H-DISP-W	<input checked="" type="checkbox"/>		<input checked="" type="checkbox"/>	<input checked="" type="checkbox"/>		<input checked="" type="checkbox"/>
TP-C-DISP-W	<input checked="" type="checkbox"/>	<input checked="" type="checkbox"/>		<input checked="" type="checkbox"/>		<input checked="" type="checkbox"/>
TP-HC-DISP-W	<input checked="" type="checkbox"/>	<input checked="" type="checkbox"/>	<input checked="" type="checkbox"/>	<input checked="" type="checkbox"/>		<input checked="" type="checkbox"/>
TP-B	<input checked="" type="checkbox"/>				<input checked="" type="checkbox"/>	
TP-H-B	<input checked="" type="checkbox"/>		<input checked="" type="checkbox"/>		<input checked="" type="checkbox"/>	
TP-C-B	<input checked="" type="checkbox"/>	<input checked="" type="checkbox"/>			<input checked="" type="checkbox"/>	
TP-HC-B	<input checked="" type="checkbox"/>	<input checked="" type="checkbox"/>	<input checked="" type="checkbox"/>		<input checked="" type="checkbox"/>	
TP-W	<input checked="" type="checkbox"/>					<input checked="" type="checkbox"/>
TP-H-W	<input checked="" type="checkbox"/>		<input checked="" type="checkbox"/>			<input checked="" type="checkbox"/>
TP-C-W	<input checked="" type="checkbox"/>	<input checked="" type="checkbox"/>				<input checked="" type="checkbox"/>
TP-HC-W	<input checked="" type="checkbox"/>	<input checked="" type="checkbox"/>	<input checked="" type="checkbox"/>			<input checked="" type="checkbox"/>

Table 3. Panel versions

- DISP: display (product code without a DISP part means a panel without a display);
- C: CO₂ sensor (optional);
- H: humidity sensor (optional).

Note: All panels are available in black or white, which is reflected in the last letter of the product code, e.g., TP-H-DISP-B or TP-C-W.

4.2 Dimensions

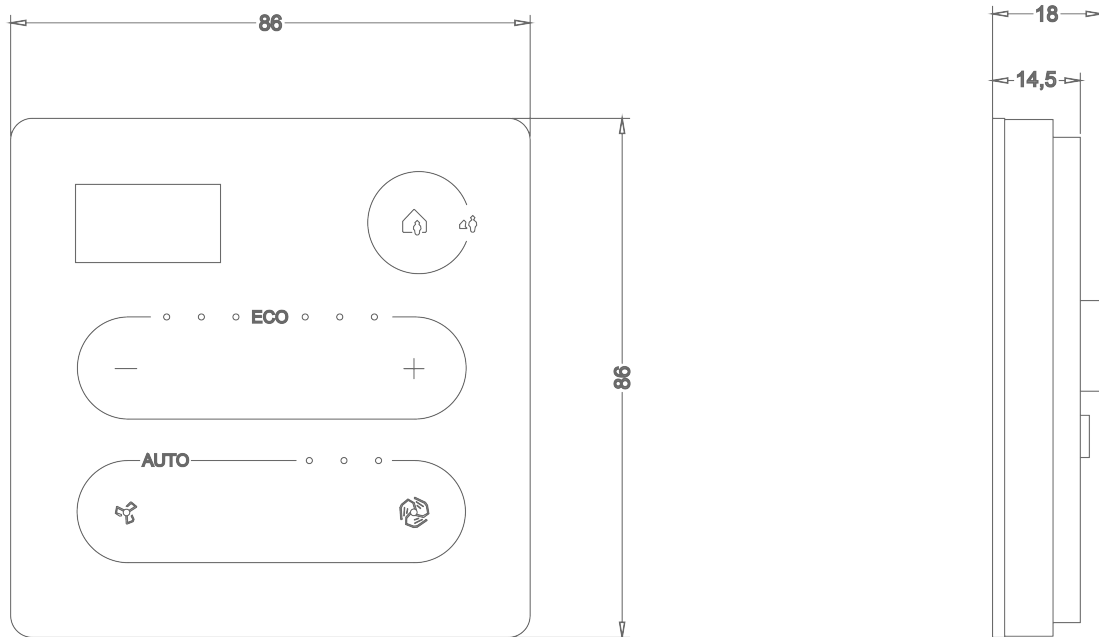


Figure 1. Dimensions

4.3 Touchscreen

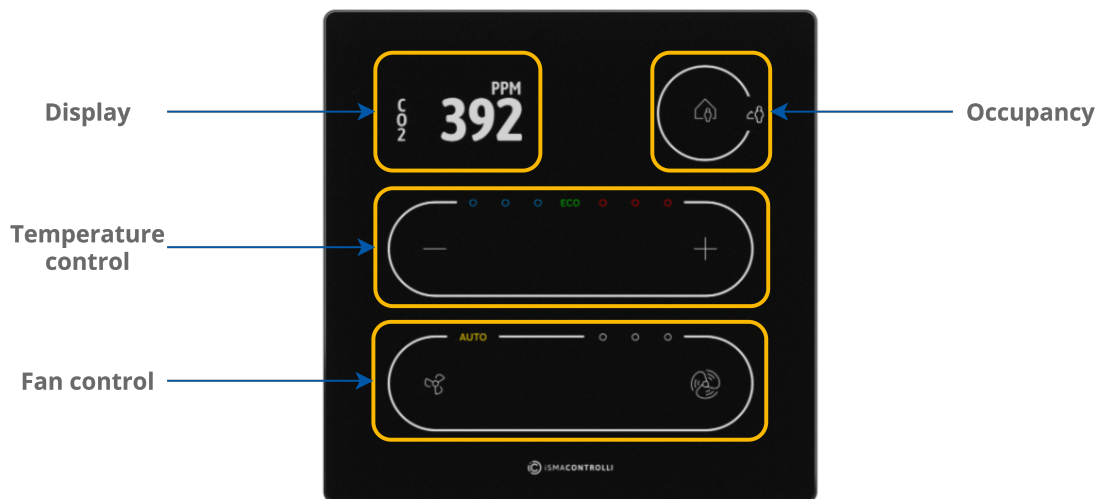


Figure 2. Display

- 5 buttons for occupancy, temperature (-/+), and fan (small fan/big fan icons) control;
- 3 blue and 3 red LEDs for temperature signalization;
- 3 white LEDs for fan signalization.

The LCD display shows following information:

- temperature setpoint or offset (after pushing a + or - button, according to configuration);
- temperature current value with unit;

- humidity current value with unit (optionally);
- CO₂ current value with unit (optionally).

Note: Currently displayed parameters change with a frequency set in the 40217 register.

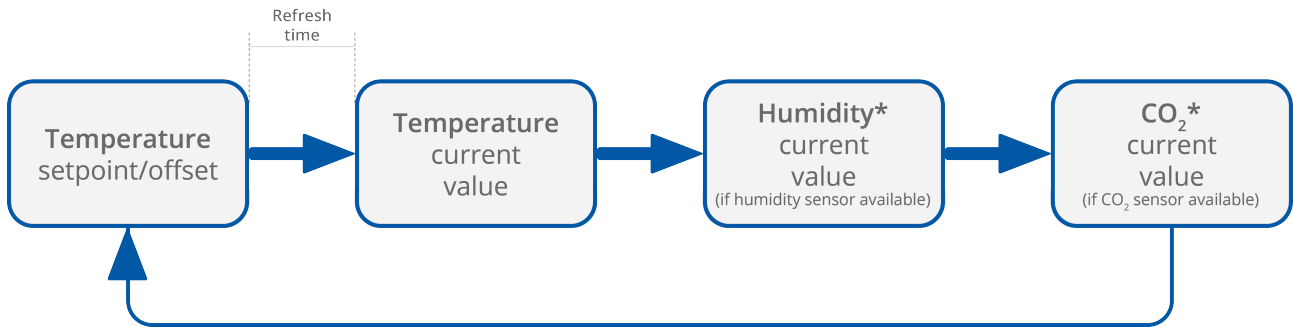


Figure 3. Display sequence

4.3.1 LEDs

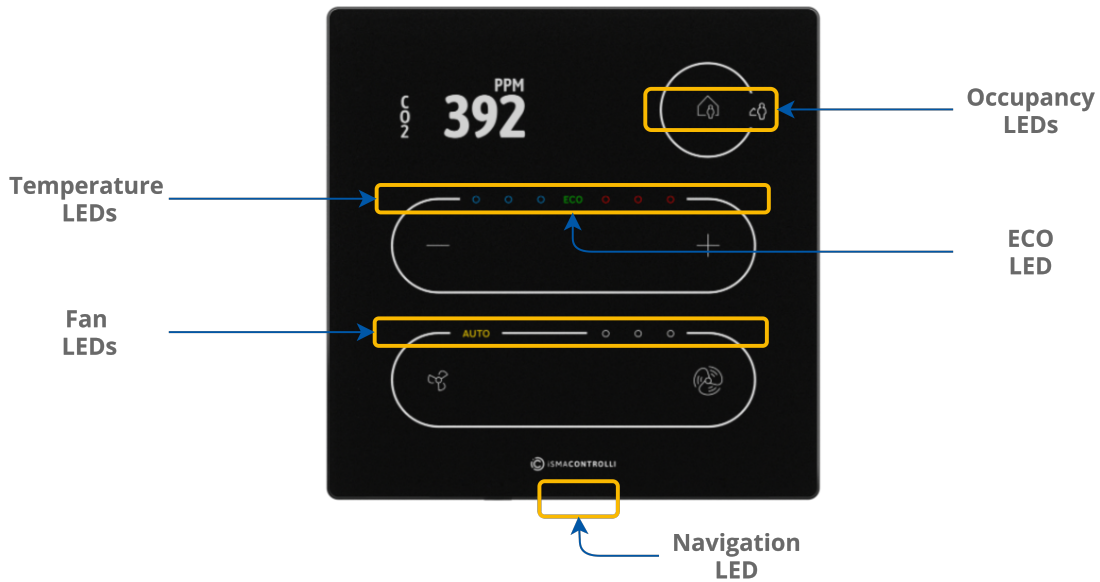


Figure 4. LEDs on the panel

The panel is equipped with:

- 1 white LED for signaling occupancy status;
- 3 blue and 3 red LEDs for temperature signaling (cooling or heating);
- 3 white LEDs for fan modes indication;
- 1 ECO LED;
- 1 navigation LED to localize the panel in the dark.

4.3.2 LED Modes

The TP panel works in 3 modes of LED lighting intensity:

- **active:** the LED lighting mode after any button on the screen has been touched;
- **idle:** the LED lighting mode after a time set from a last button has been touched;
- **standby:** the LED lighting mode after a time set from going into the idle mode.

All lighting intensity values in these three different modes can be set in the 40207-40216 Modbus registers.

4.4 Buzzer

The TP panel is equipped with a buzzer, which informs about a detected touch with a short sound.

The buzzer also provides a CO₂ alarm function, which emits sounds once the CO₂ level exceeds a set alarm value. The alarm can be confirmed and muted by pressing any button.

The buzzer may be activated or deactivated using the DEVICE_CONFIGURATION register/object (bit 0, BUZZER).

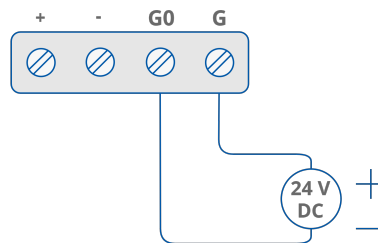
Register Value	Description
0	Buzzer deactivated
1	Buzzer activated

Table 4. The BUZZER values

By default, the buzzer is active.

4.5 Power Supply

4.5.1 DC Power Supply Connection



Power supply from PELV/SELV source

Figure 5. DC power supply connection

4.5.2 AC Power Supply Connection

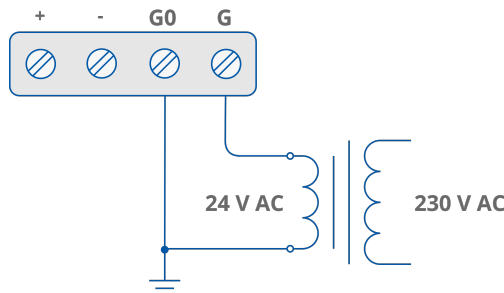


Figure 6. AC power supply connection

4.5.3 RJ45 Power Supply Connection

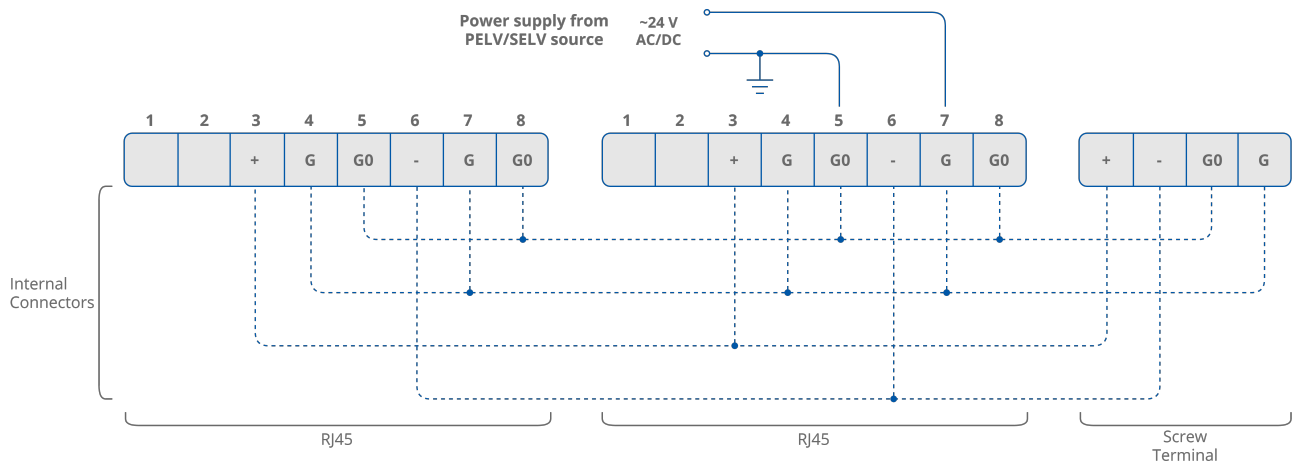


Figure 7. RJ45 power supply connection

4.6 Communication

The TP panel supports Modbus RTU/ASCII and BACnet MS/TP communication protocols, using 2 RJ45 sockets and a screw terminal. The panel has one USB type C (USB 2.0) port for communication with the iSMA Configurator and FCU Updater software.

Note: A communication protocol is selected by setting a second switch on the DIP switch on the back of the panel:

- Off: Modbus RTU/ASCII (default);
- On: BACnet MS/TP.

4.6.1 RS485 Connection

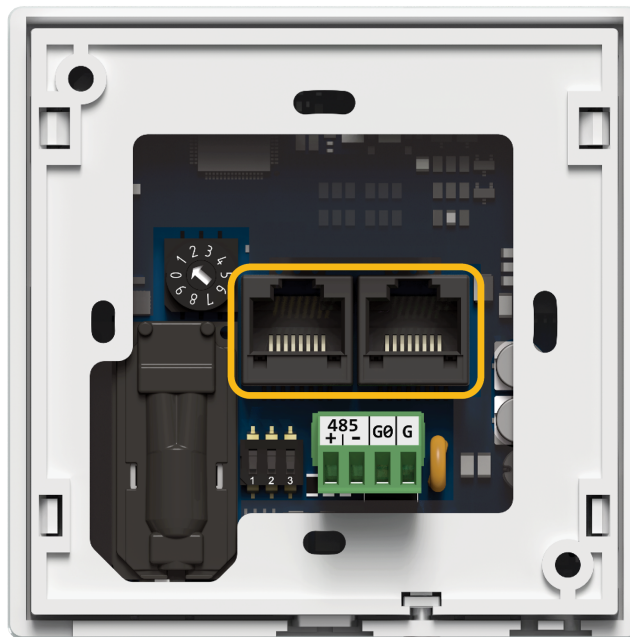


Figure 8. RJ45 connectors

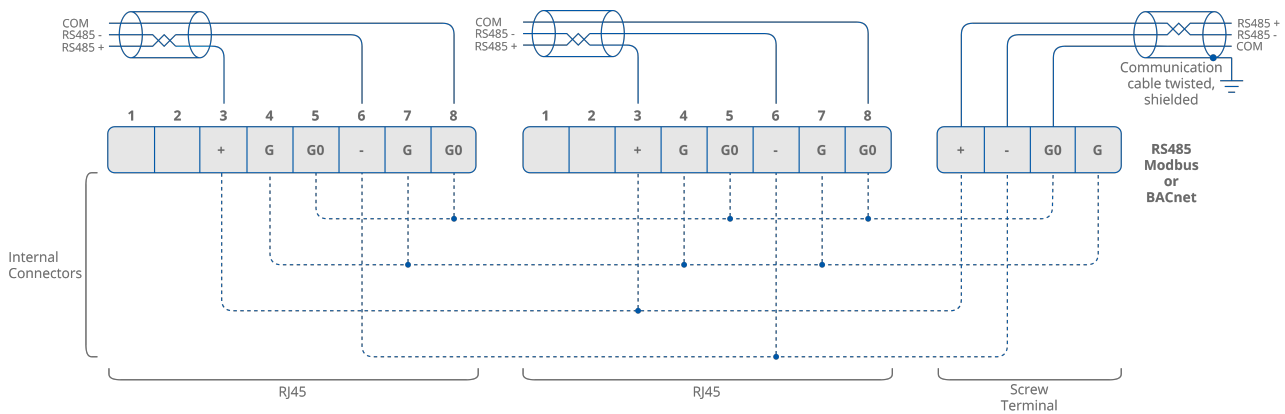


Figure 9. RS485 connection

4.6.2 RS485 Network Termination

Transmission line effects often present a problem for data communication networks. These problems include reflections and signal attenuation. To eliminate the presence of reflections of signal from the end of the cable, the cable must be terminated at both ends with a resistor across the line adequate to its characteristic impedance. Both ends must be terminated since the propagation is bidirectional. In case of an RS485 twisted pair cable this termination is typically 120 Ω.

Note: A termination resistor can be added with a third switch on the DIP switch on the back of the panel:

- **Off:** termination resistor disconnected (default);
- **On:** termination resistor added.

4.6.3 USB Connection

The USB port is used to communicate with product software, such as the iSMA Configurator or FCU Updater, for configuration and firmware updates. The USB port provides 5 V DC power supply.

4.7 DIP Switch

The TP panel is equipped with a 3-position DIP switch. Each of three sections has a separate function:

- the first switch allows for restoring default settings;
- the second switch allows for selecting a communication protocol;
- and the third switch allows for the RS485 network termination.

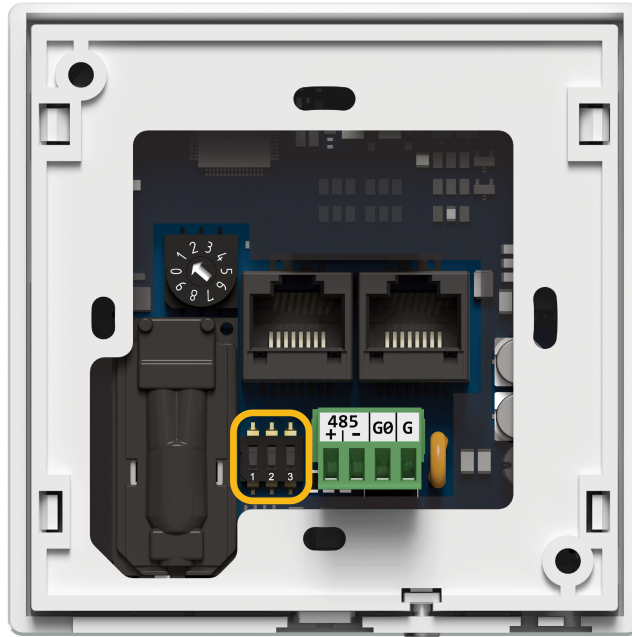


Figure 10. DIP switch location

4.7.1 Restoring Default Settings

The first switch provides a possibility to restore default settings in the panel. In order to do so, follow the steps below:



Figure 11. Restoring default settings

- Turn off the power supply;
- Set the first switch to on;
- Turn on the power supply;
- Wait until the display blinks;
- Set the third switch to off.

Default Settings

Variable	Default Value
Baud rate	115200
Stop bits	1
Data bits	8

Variable	Default Value
Parity bits	None
Protocol	Modbus RTU
Modbus address	1
Replay delay	None

Table 5. Default values

4.7.2 Selecting Communication Protocol

The second switch selects between the available communication protocols, Modbus RTU/ASCII or BACnet MS/TP:



Figure 12. Selecting communication protocol

- **Off:** Modbus RTU/ASCII (default);
- **On:** BACnet MS/TP.

4.7.3 RS485 Network Termination

The third switch adds or disconnects a termination resistor to the RS485 network:

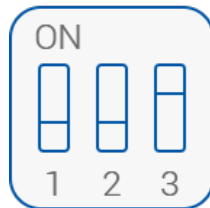


Figure 13. Adding a termination resistor

- **Off:** termination resistor disconnected (default);
- **On:** termination resistor added (120 Ω).

4.8 Rotary Switch

4.8.1 Setting Device Address

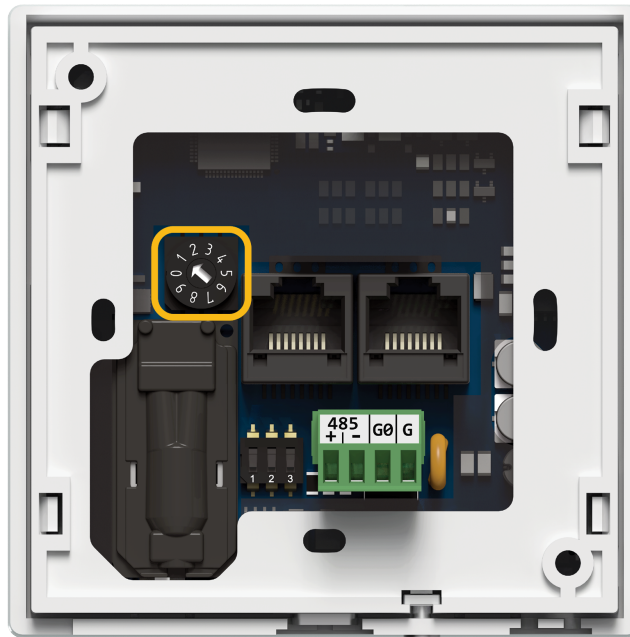


Figure 14. Rotary switch location

The TP panel is equipped with a rotary switch, which allows for setting a Modbus address in a range from 0 to 9. If the switch is set to 0, the address is read from the ADDRESS register/object (decimal address: 22).

5 Mounting and Installation

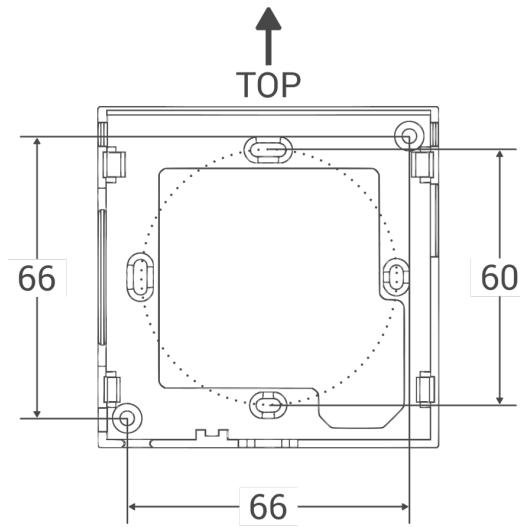


Figure 15. The back box of the panel – junction box fittings

Step 1: Fit the back box to the junction box.

Step 2: Fit the panel to the back box, starting from up corners. Make sure the USB port is headed downwards.

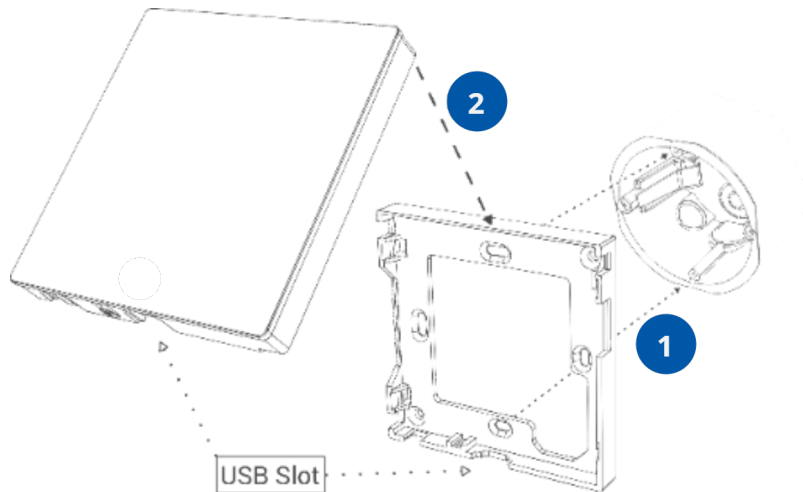


Figure 16. Fitting the junction box, back box, and the panel

Step 3: Gently push in the bottom corners of the panel to the back box.

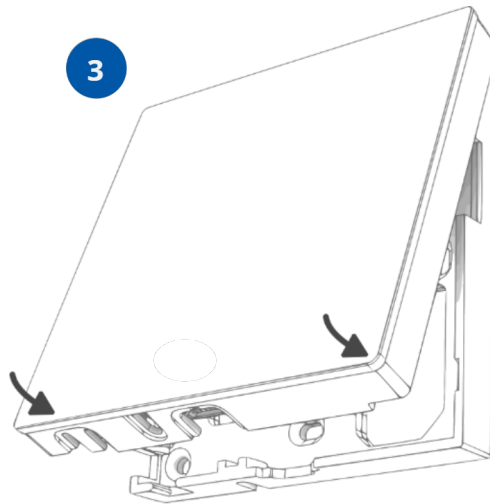


Figure 17. Fitting down corners in the back box

Step 4: Screw the panel to the back box. Turn the screw clockwise.

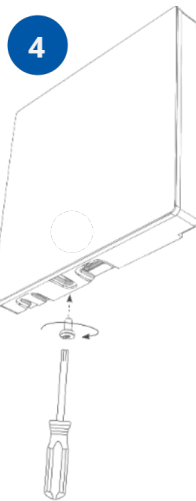


Figure 18. Screw the panel to the back box